

QUICK  EASY  SIMPLE

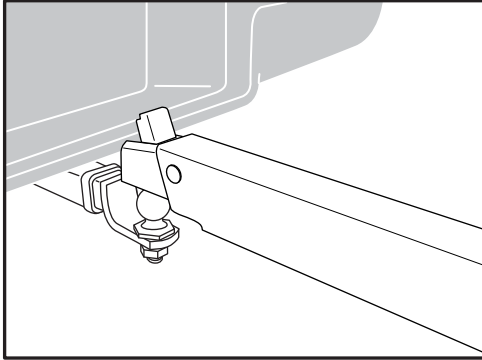
# BACK-N-GO™

Trailer Hitch Alignment System

backngo.com

## Installation Instructions

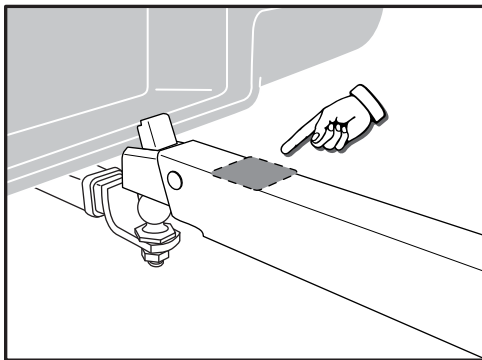
### 1 Initial Setup



Back the tow vehicle into proper position to hitch the trailer.

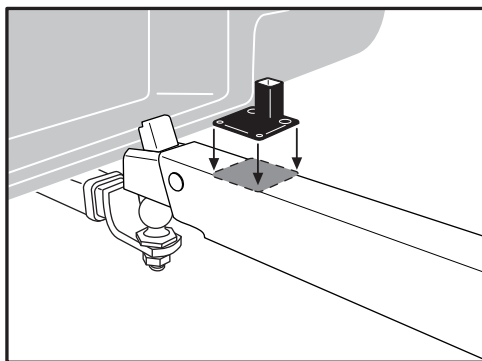
**Do not lower the trailer tongue onto the hitch!**

### 2 Identify Mounting Location for the Base



Ensure the adjustable horizontal guide will reach and touch the tow vehicle before attaching the base.

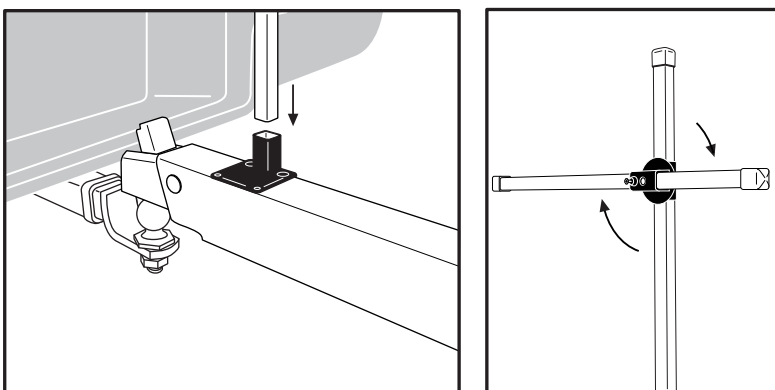
### 3 Attach Base



- Ensure the mounting is clean and free of dirt and grease.
- Peel the backing off the mounting tape and press the base into position.

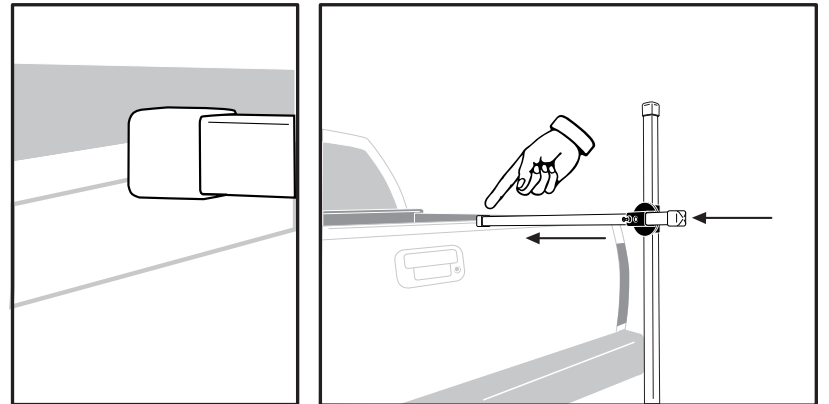
The adhesive reaches maximum strength after 24 hours.

### 4 Setup Horizontal Guide



- Insert the guide pole into the base.
- Extend the folding arm.

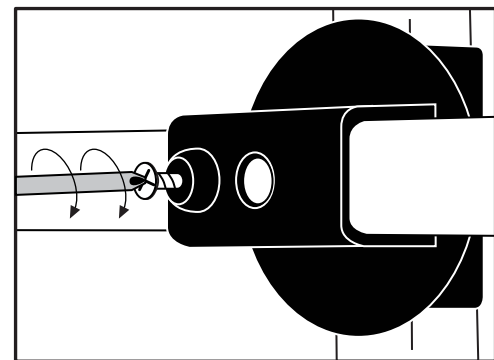
### 5 Adjust Horizontal Guide



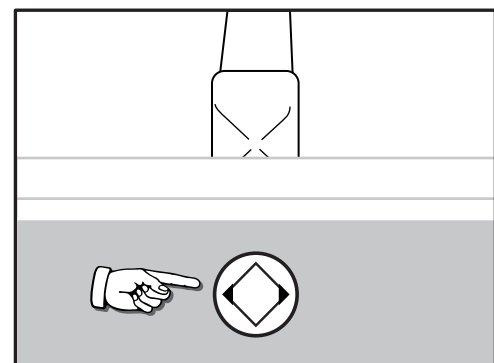
Adjust the horizontal guide until it touches the tow vehicle.

- For trucks, adjust the horizontal guide so that the tip of the guide is touching the tailgate, but is visible above the edge of the tailgate from the driver's seat.
- For SUVs, adjust the horizontal guide so that it is touching the rear window of the SUV.

### 6 Install Set Screws on Folding Joint



### 7 Mount Alignment Decal



Ensure the mounting is free of grease and dirt.

Mount the alignment decal where it is visible from the driver's seat, and directly below the tip of the horizontal guide.

**Your BACK-N-GO trailer alignment is now installed and ready for use!**

The BACK-N-GO trailer alignment system is designed to guide a driver when backing into position to hitch a trailer. The system will give the driver a visual aide to assist with alignment and positioning but will not stop the vehicle from contacting the trailer. The Backngo system does not prevent the driver from backing into unseen people, objects, or hazards. Always exercise appropriate caution and ensure that no people or obstructions are between the vehicle and the trailer.